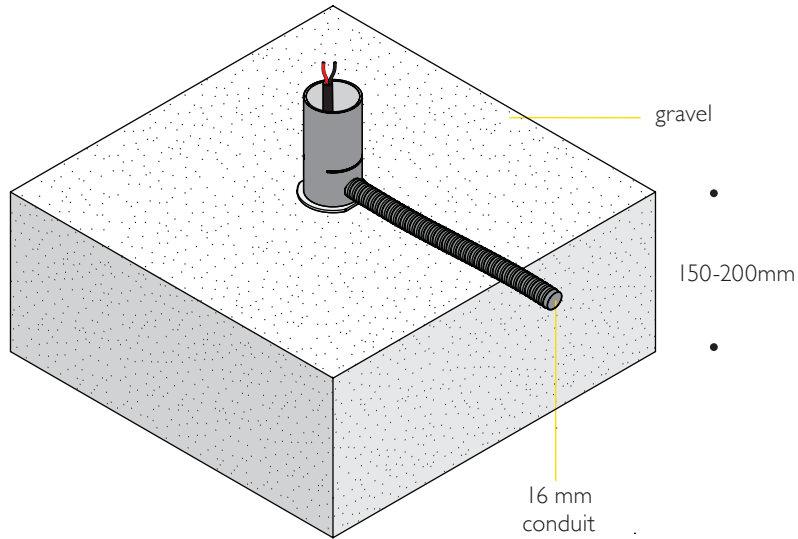
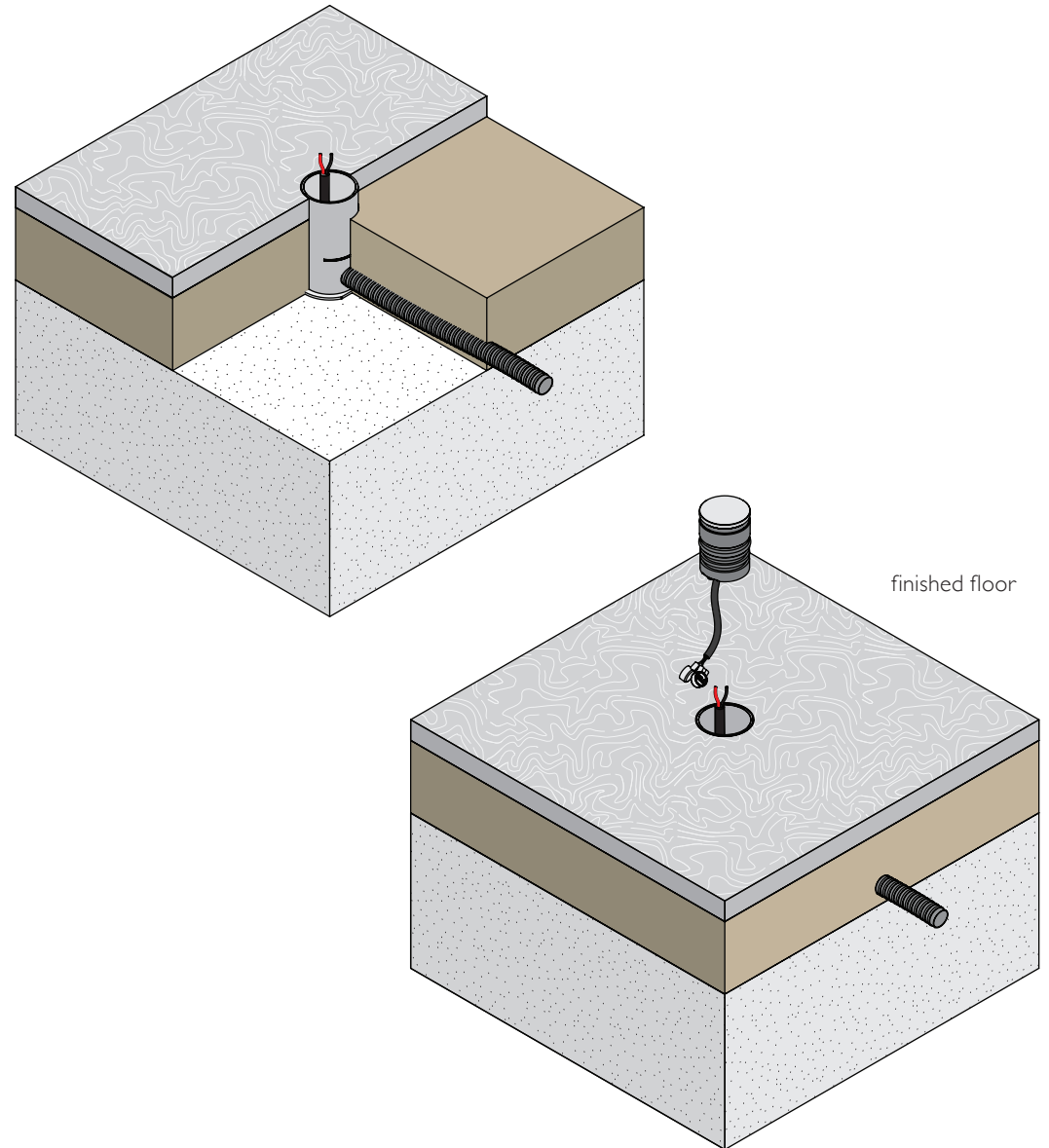


- 1** provide 150-200 mm of gravel for proper drainage (in case of concrete slab provide drainage with tube).



- 2** Connect luminaire to 24V transformer.



Wiring diagram

Parallel connection of multiple fittings

Optional

Paguro IP68
5666/20

