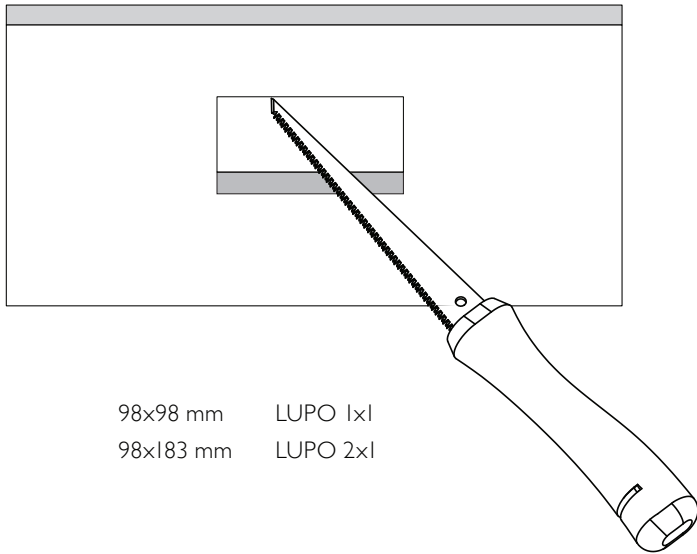
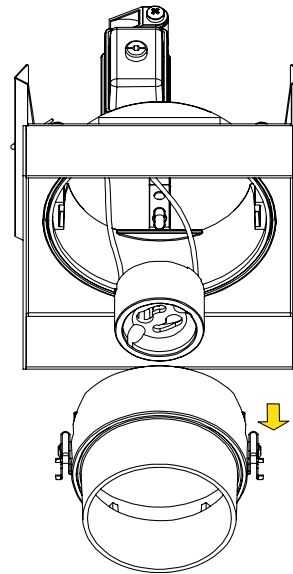


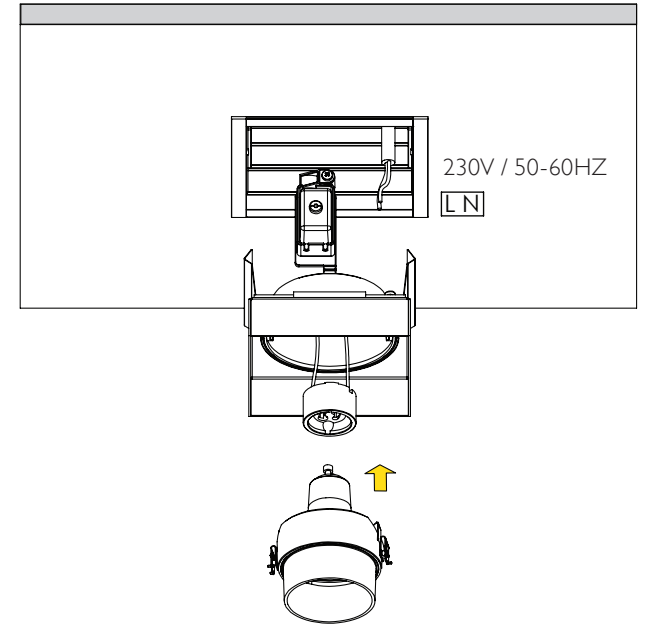
**1** Cut hole in ceiling.



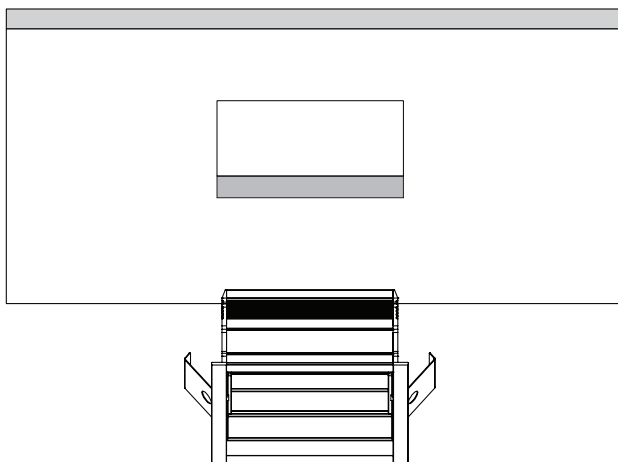
**3** Pull front part.



**5** Connect to 230V/50-60Hz.



**2** Insert frame.



**4** Slide bulb into place.

