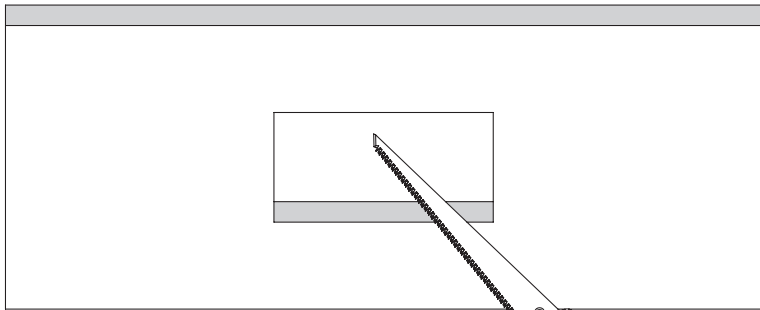
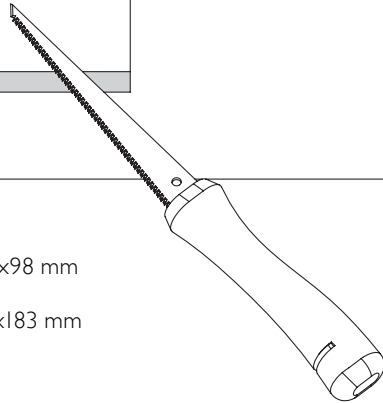


1 Cut hole in ceiling.

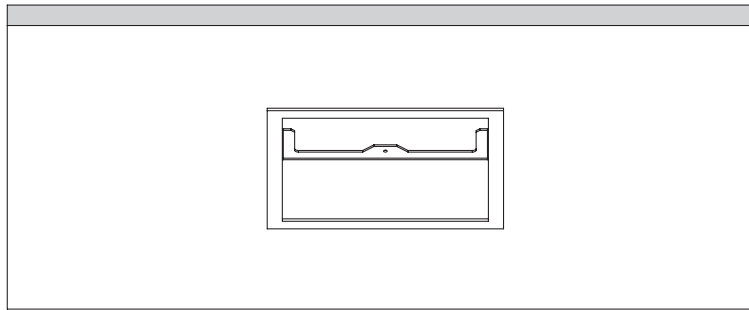


ShaibaQR 1x1 98x98 mm

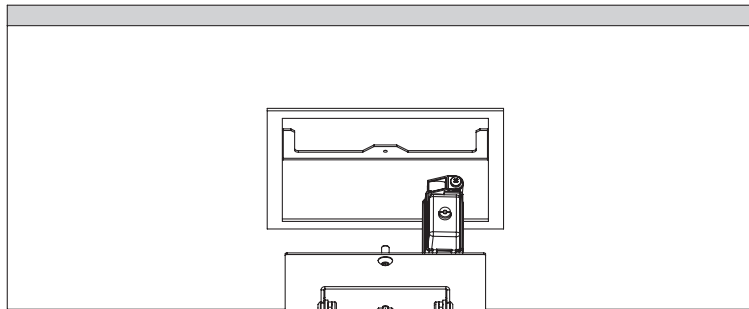
ShaibaQR 2x1 98x183 mm



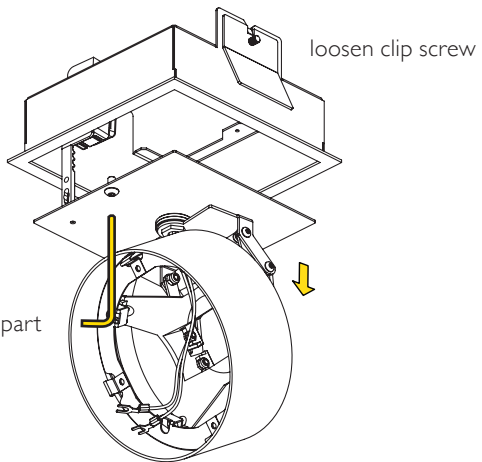
3 Install box into gypsum board.



4 Connect to 12V transformer.



2



separate front part

loosen clip screw