



DATASHEET / SURFACE



POINTER TRACK

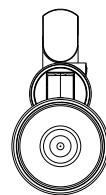
POINTER TRACK

4601.XX

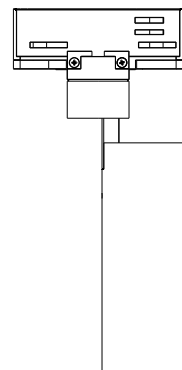
color legend

- .01** white
- .02** black
- .04** anodised
- .05** alu
- .06** graphite
- .07** corten
- .10** stainless steel
- .01** white ex / black in
- .02** black ex / black in
- .05** white ex / alu in
- .11** white ex / white in
- .15** alu ex / alu in

4601

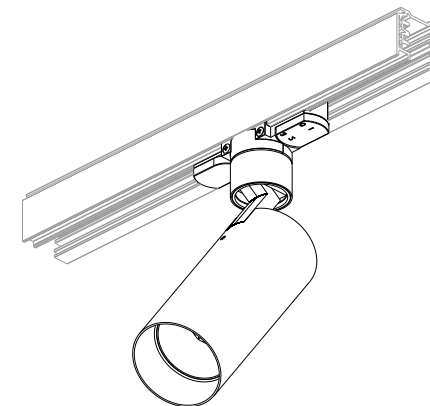


• 55 •



• 27 •

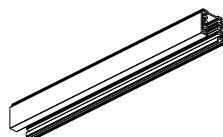
145



reference	4601
wattage	max 35W
lamp	QPAR 51
IP20  CE base	GU10

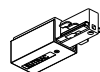
EUTRAC

track 4m



25-406 white  
25-402 black  
25-403 ano

live end



earth right  
555 1 1201 6 white  
555 1 1201 2 black  
555 1 1201 3 ano

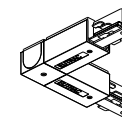
earth left  
555 1 1202 6 white  
555 1 1202 2 black  
555 1 1202 3 ano

straight coupler



555 1 1206 6 white  
555 1 1206 2 black  
555 1 1206 3 ano

L coupler



earth outside  
555 1 1209 6 white  
555 1 1209 2 black  
555 1 1209 3 ano

earth inside  
555 1 1210 6 white  
555 1 1210 2 black  
555 1 1210 3 ano

ceiling clip



99-018-6 white  
99-018-2 black  
99-018-3 ano

end cap



555 1 1217 6 white  
555 1 1217 2 black  
555 1 1217 3 ano