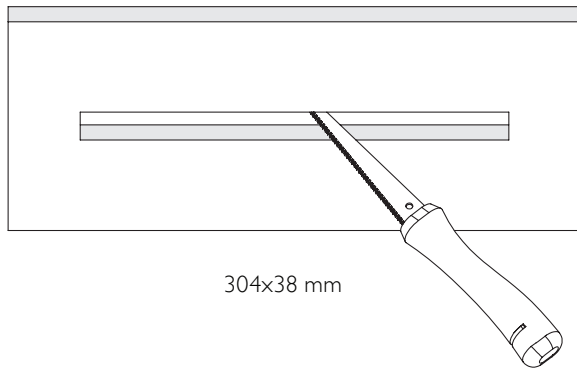
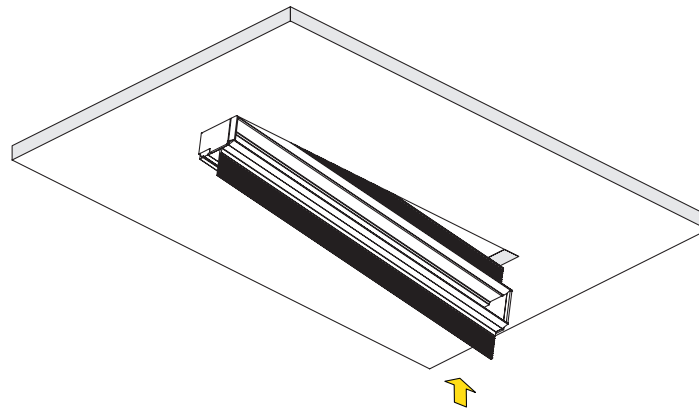


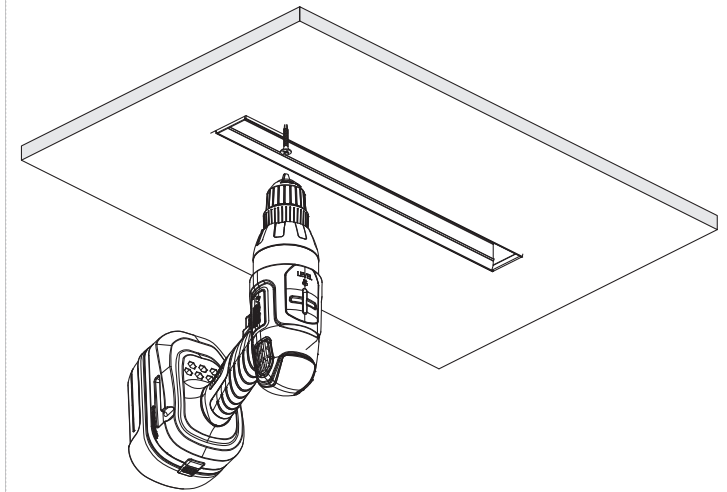
1 Cut hole in ceiling.



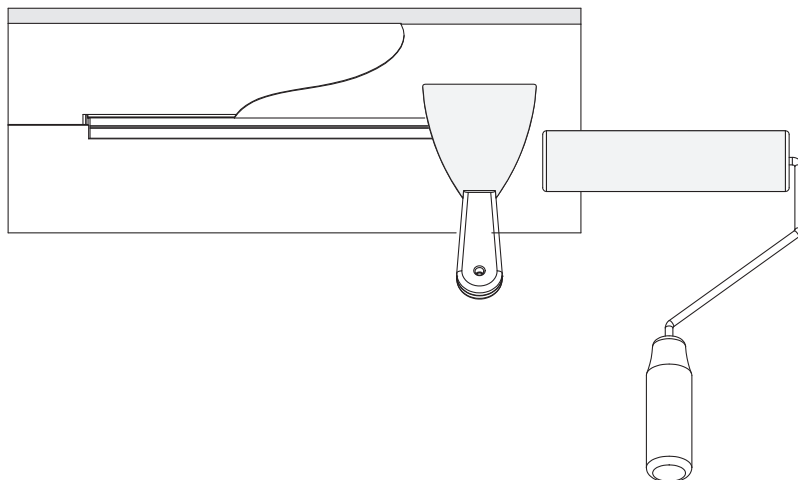
2 Insert frame into slot.



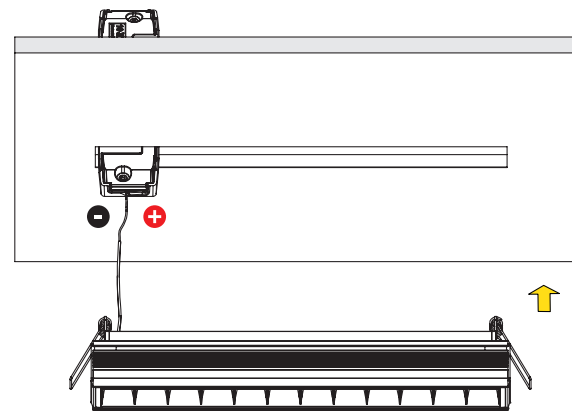
3 Fix frame to plasterboard with screws.



4 Plaster and paint.



5 Connect luminaire to driver. Place the luminaire into frame.



Use constant current driver with strain relief.

! Always check polarity and max drive current.

Drive Current	Forward Voltage	Power
max 500 mA	34V	17 W