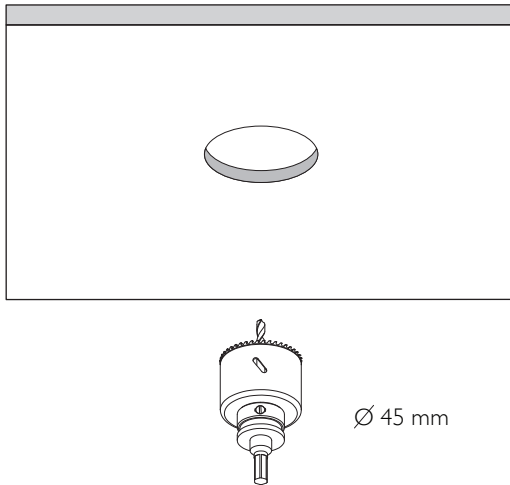
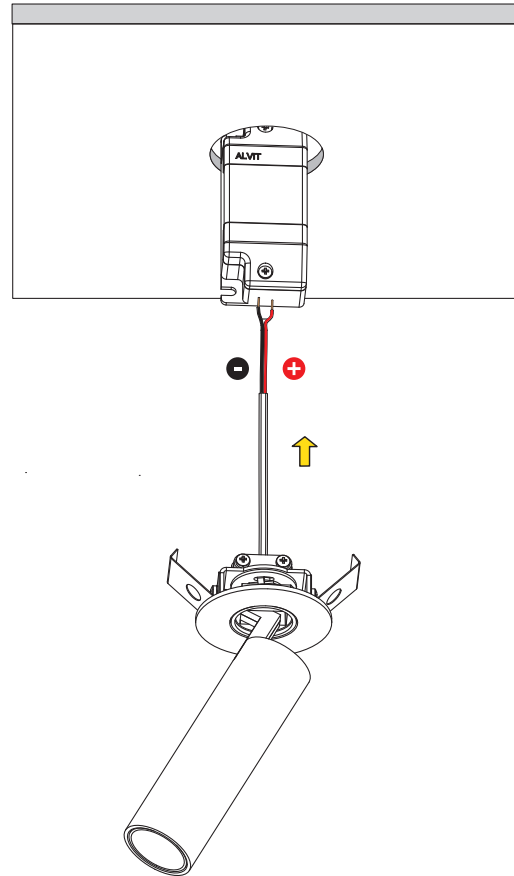


1 Cut hole in ceiling.



2 Connect luminaire to driver.  
Place the luminaire.



Use constant current driver with strain relief.

**!** Always check polarity and max drive current.

Drive Current	Forward Voltage	Power	LED type
max 200 mA	33.5V	6.8W	COB

