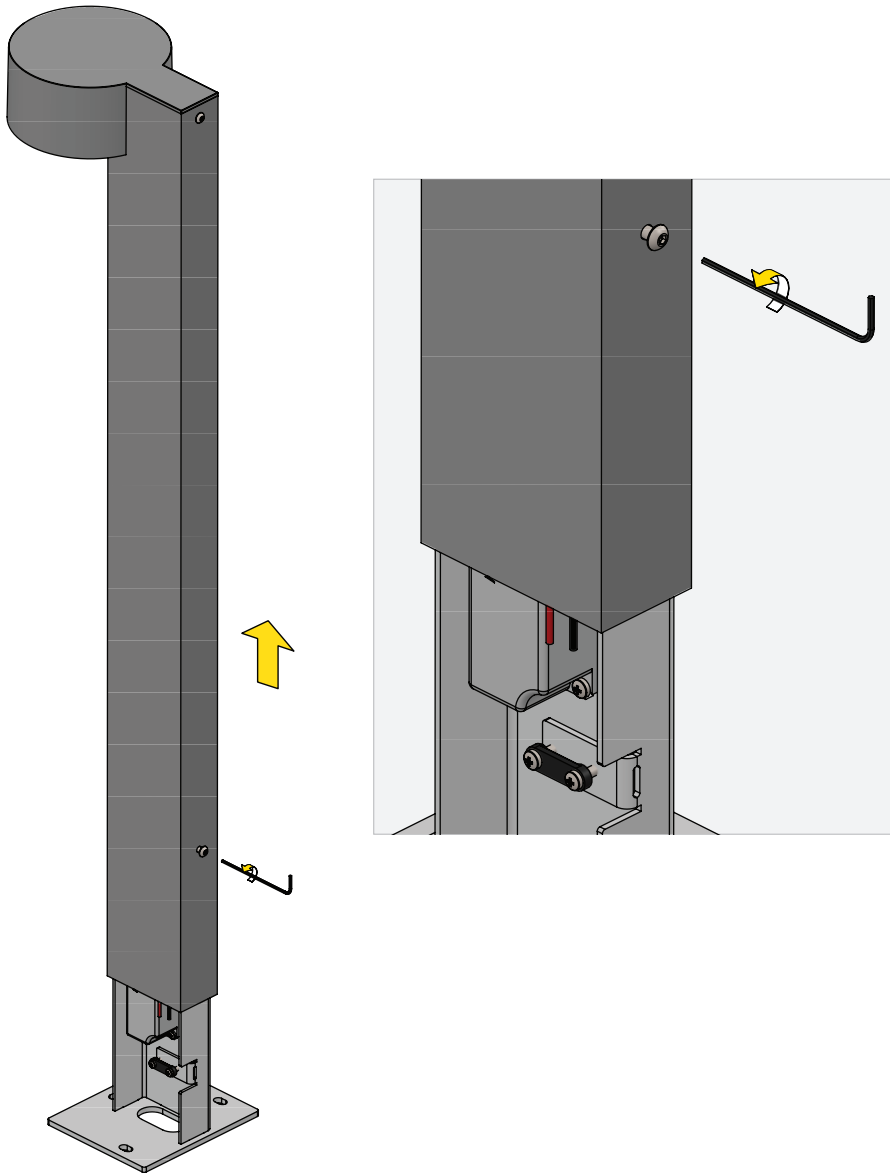
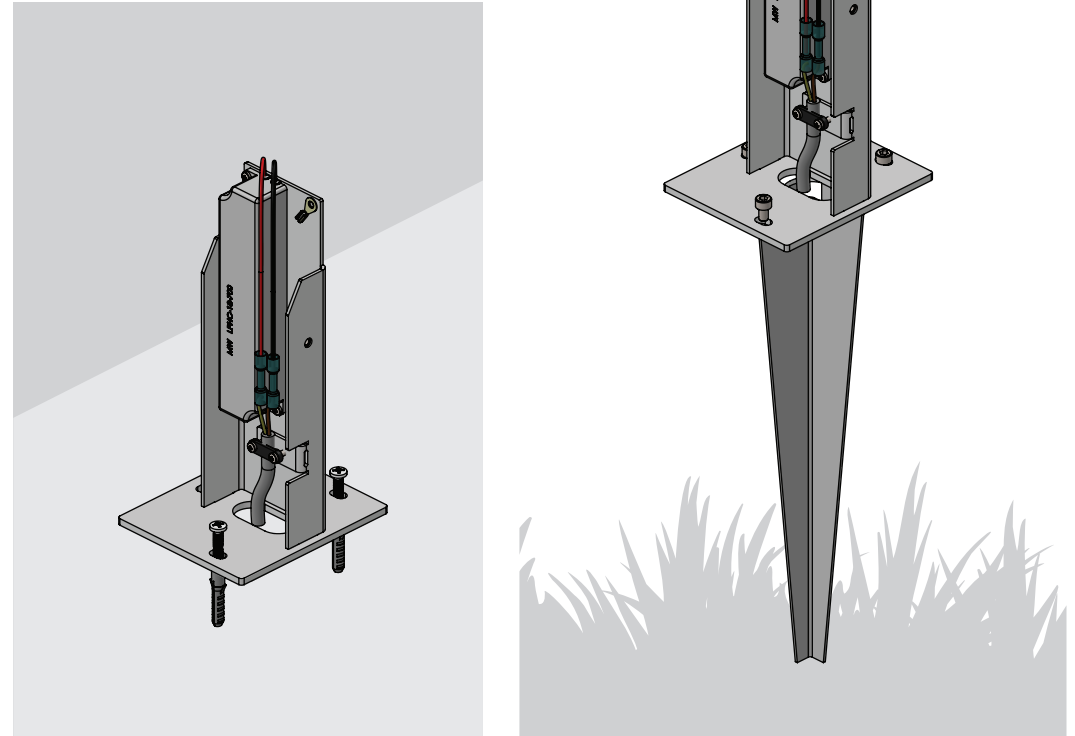


1 Remove base from post.



2 Fix to ground with dowels or spike.



3 Make electrical connection. Reassemble.