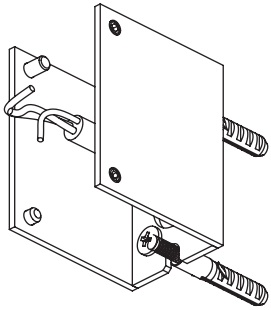
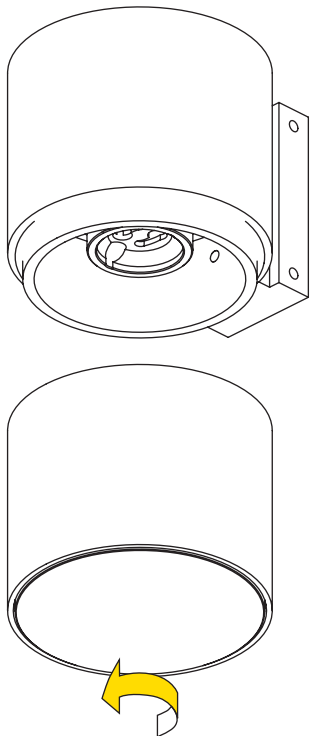


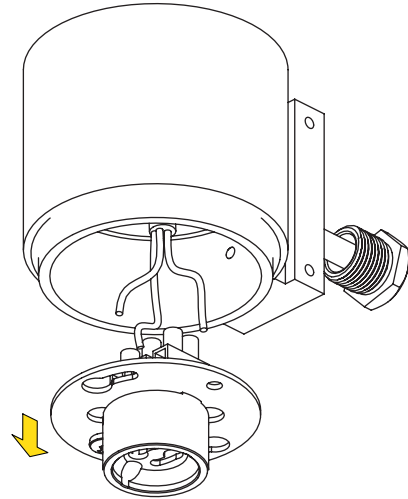
1 Fix baseplate.



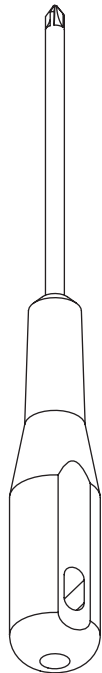
2 Unscrew and pull down cylinder.



3 Pull down plate with socket.
Make electrical connection.



N \neq L 230V / 50-60Hz



4 Reassemble and fix to baseplate.

