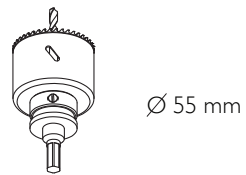
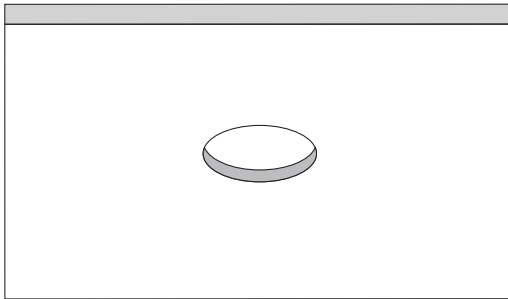
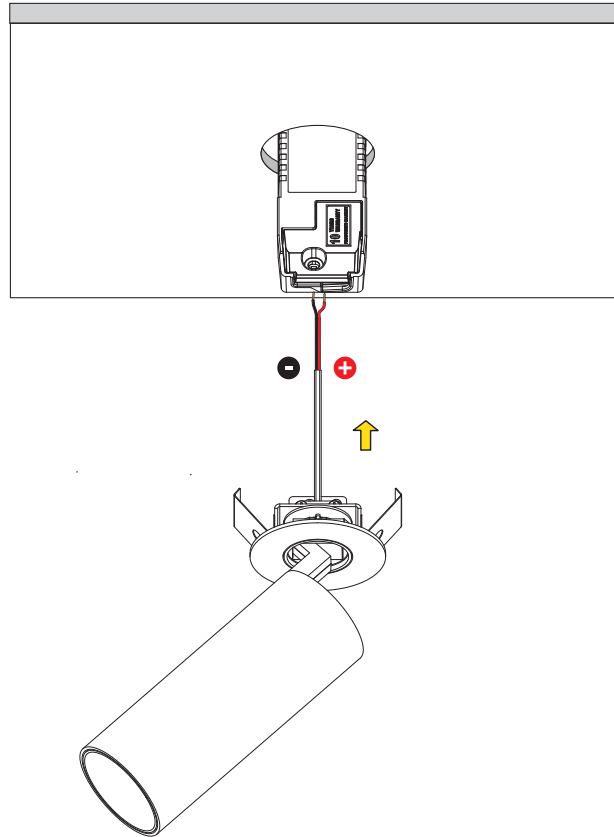


1 Cut hole in ceiling.

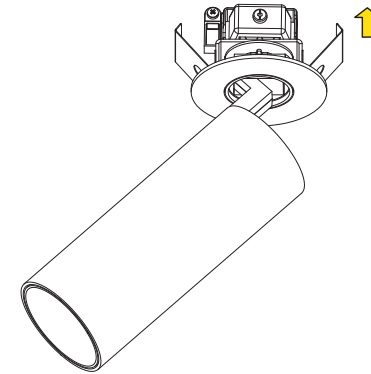
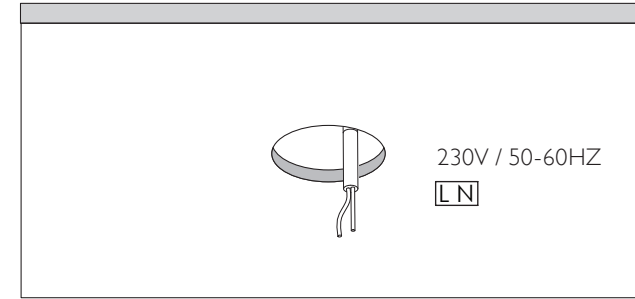


2 Connect luminaire to driver. Place the luminaire.

For version without built-in driver



For version with built-in driver



Use constant current driver with strain relief.

! Always check polarity and max drive current.

Drive Current	Forward Voltage	Power	LED type
max 350 mA	33.5V	12 W	COB

