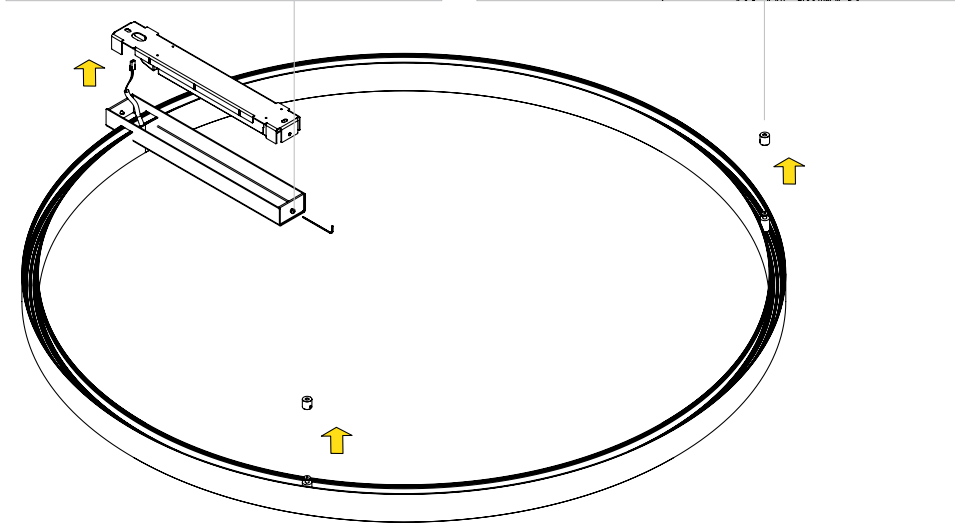
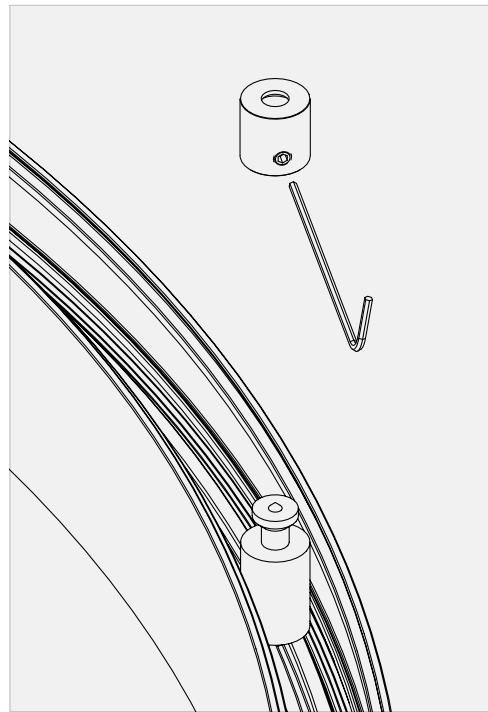
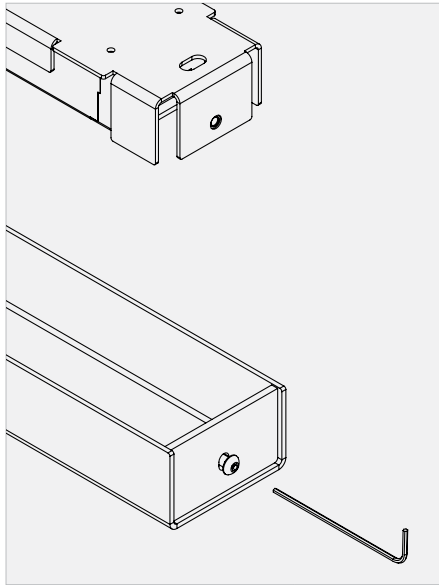
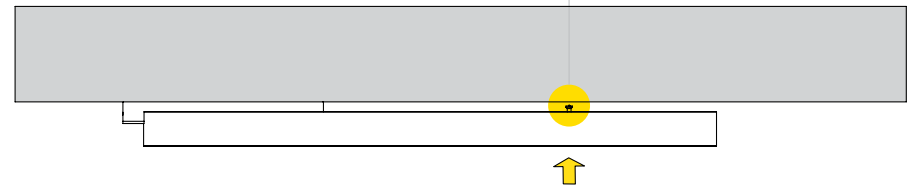
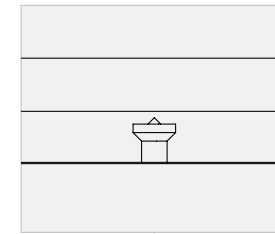


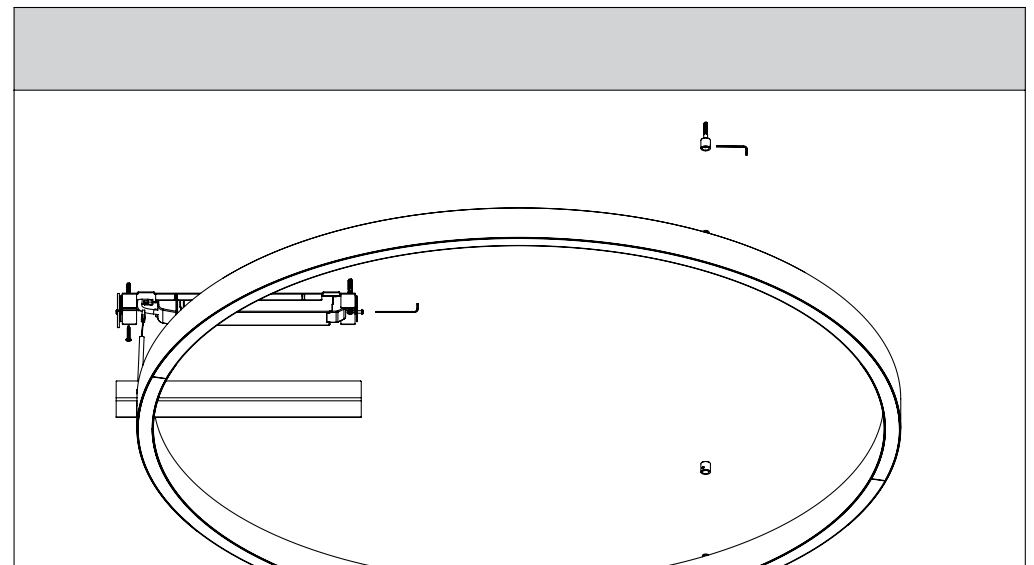
- 1** Remove the two fixers and base from the fitting.



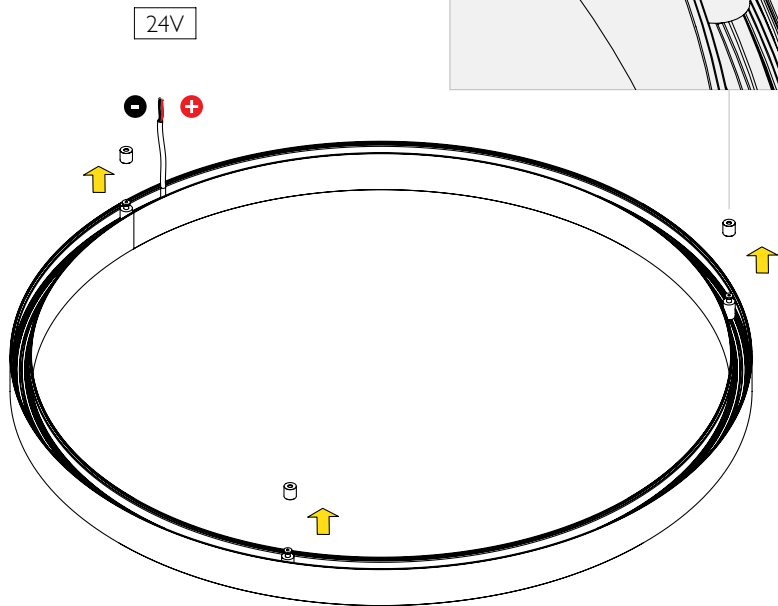
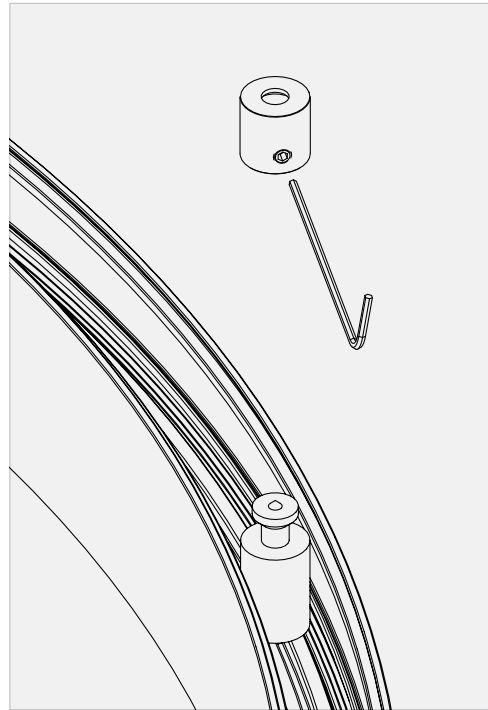
- 2** Tap on the ring and make dents on the ceiling using the sharp tips of the fixers. Mark and use as template for the dowels.



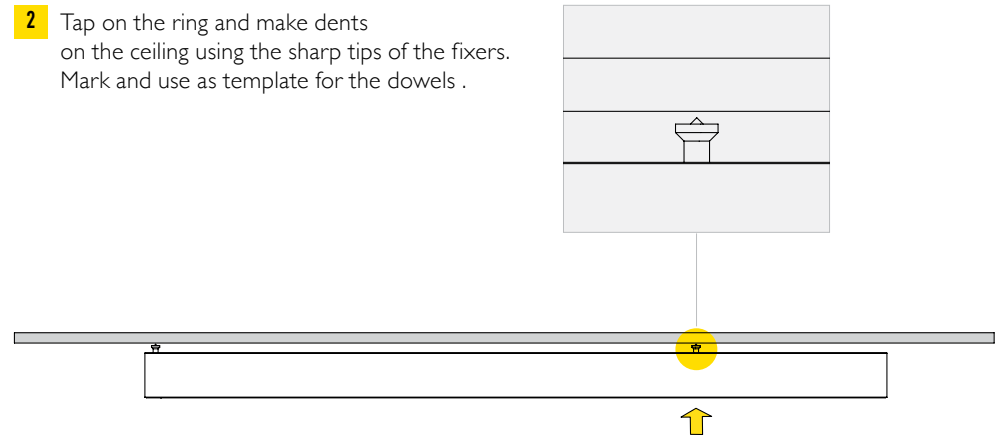
- 3** Make electrical connection and reassemble.



- 1** Remove the three fixers from the fitting.



- 2** Tap on the ring and make dents on the ceiling using the sharp tips of the fixers. Mark and use as template for the dowels.



- 3** Make electrical connection and reassemble.

