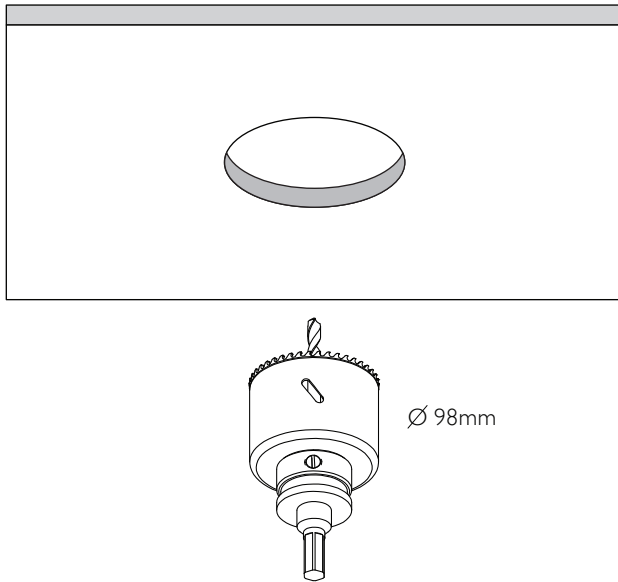
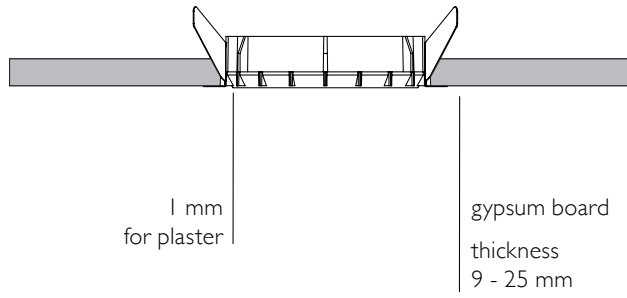


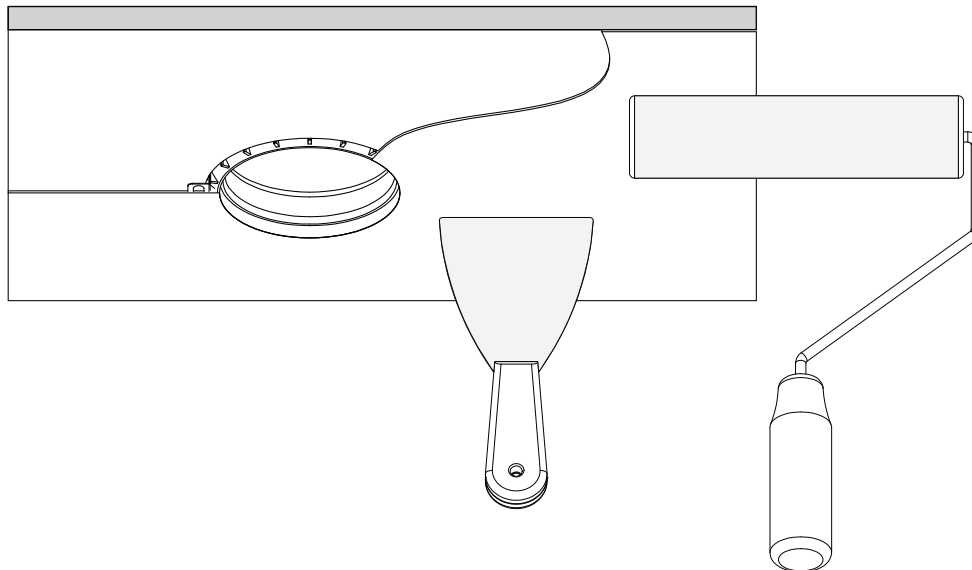
1 Cut hole in ceiling.



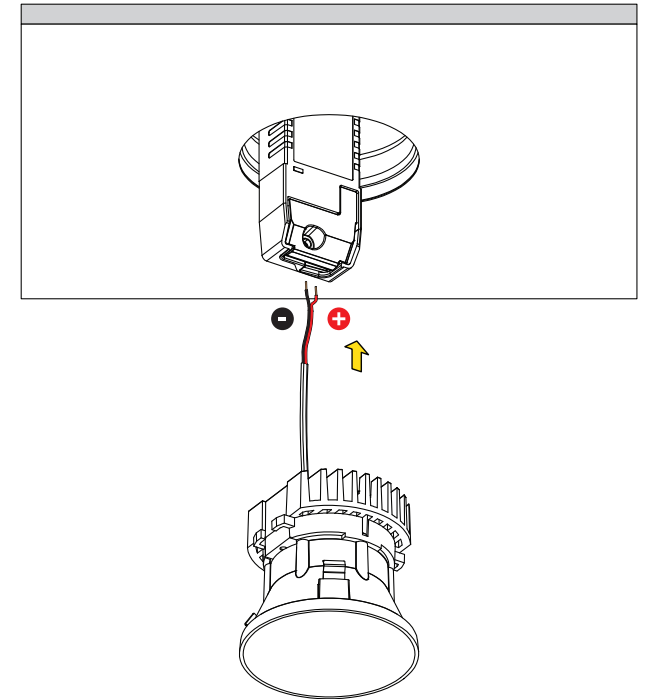
2 Insert plaster ring.



3 Plaster and paint.



4 Connect luminaire to driver.
Place the luminaire into frame.



Use constant current driver with strain relief.

! Always check polarity and max drive current.

Drive Current	Forward Voltage	Power
max 350 mA	33.5V	12 W