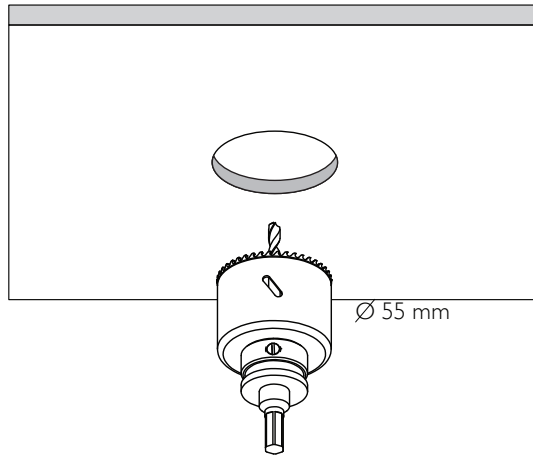
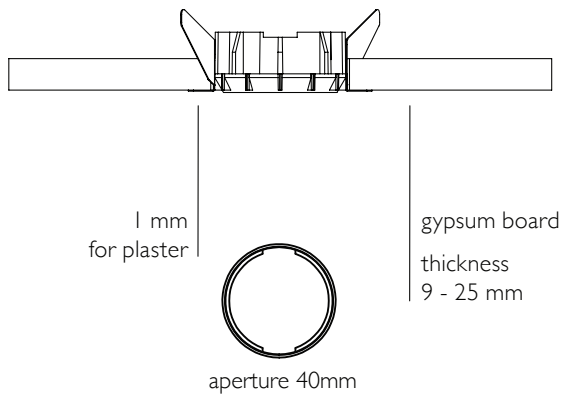


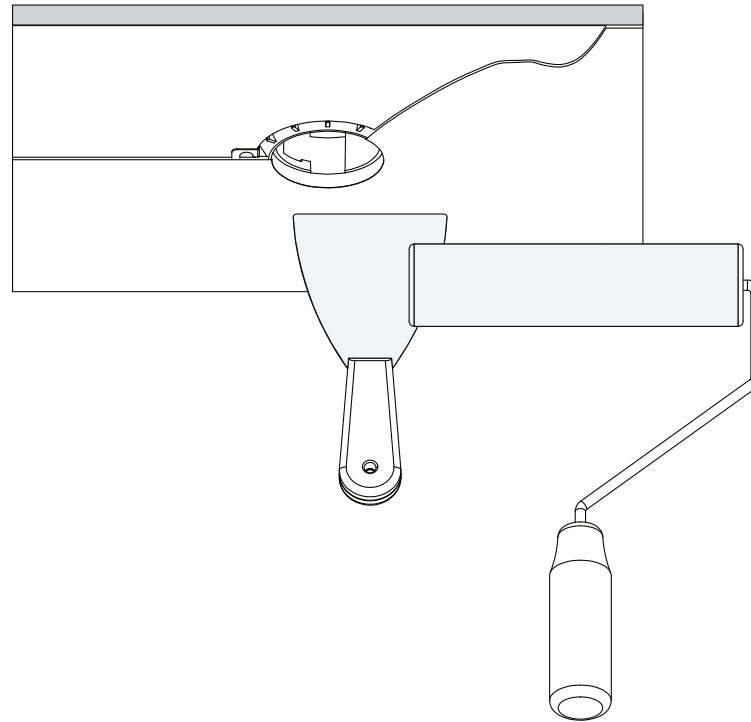
1 Cut hole in ceiling.



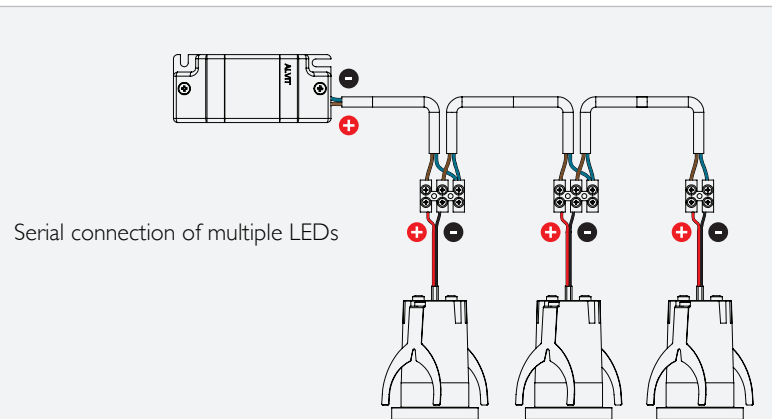
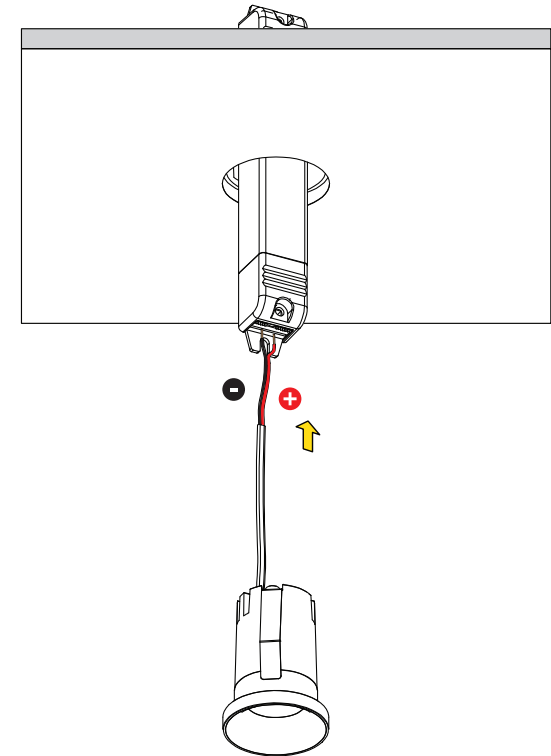
2 Insert plaster ring.



3 Plaster and paint.



4 Connect luminaire to driver. Place the luminaire into frame.



Use constant current driver with strain relief.

! Always check polarity and max drive current.

Drive Current	Forward Voltage	Power	LED type
max 200 mA	33.5V	6.8 W	COB
max 500 mA	11.8V	6 W	discrete