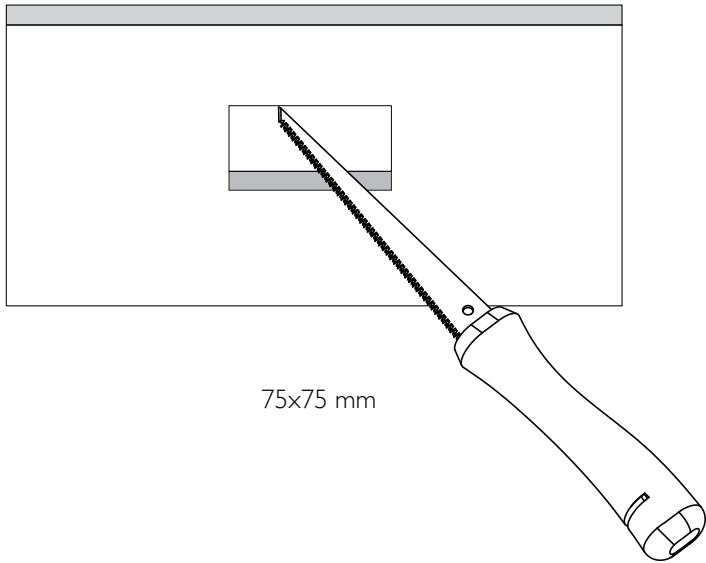
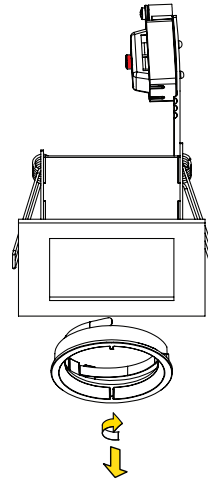


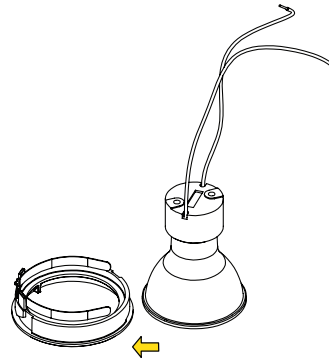
1 Cut hole in ceiling.



2 Turn and remove ring from fitting.



3 Slide bulb into ring.



4 Connect to 230V/50-60Hz.

