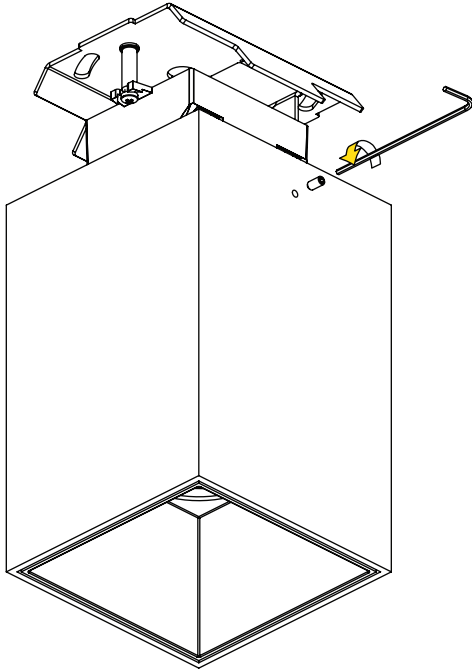
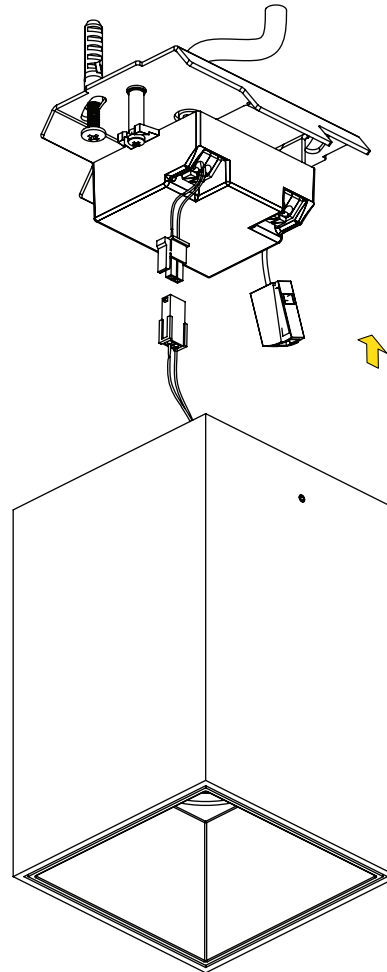


1 Remove base.



2 Fix to ceiling and make electrical connection. Reassemble.



N \perp L 230V / 50-60Hz