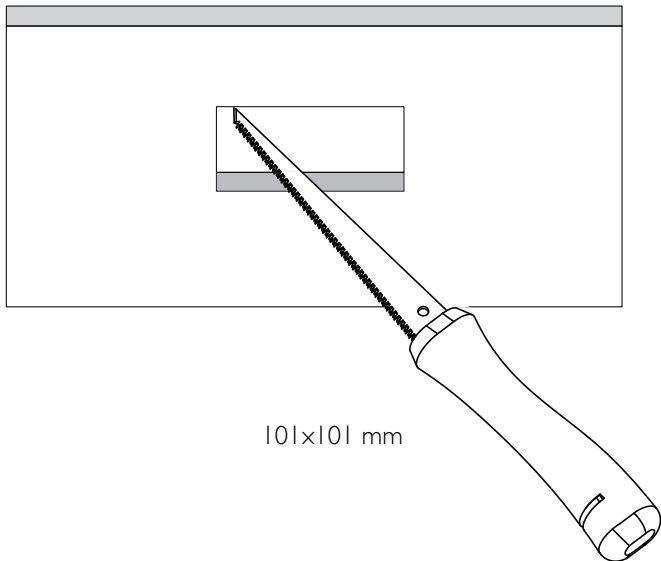
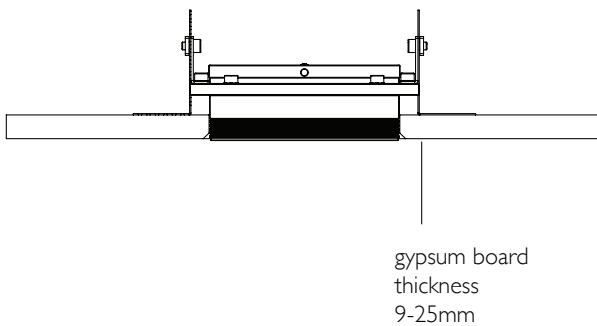


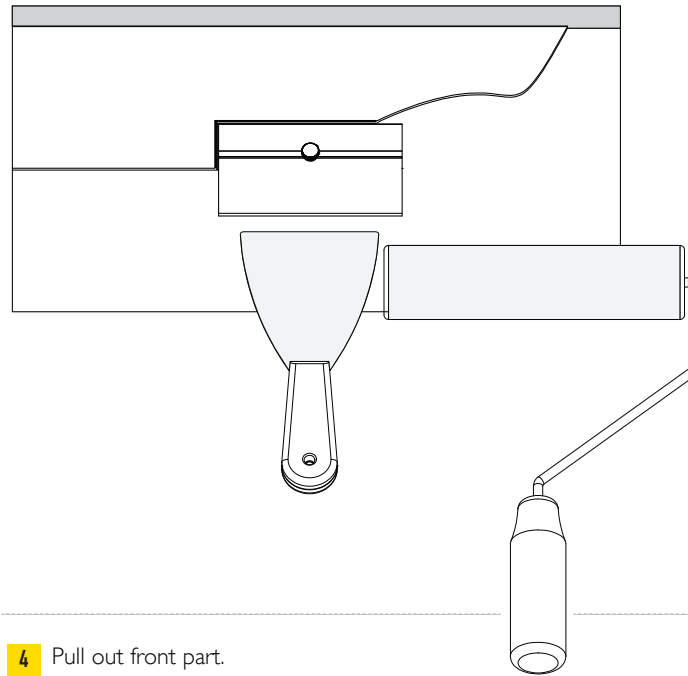
1 Cut hole in ceiling.



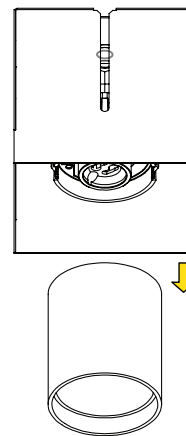
2 Adjust depth of plasterkit frame.



3 Plaster and paint.



4 Pull out front part.



4 Connect to 230V/50-60Hz.

