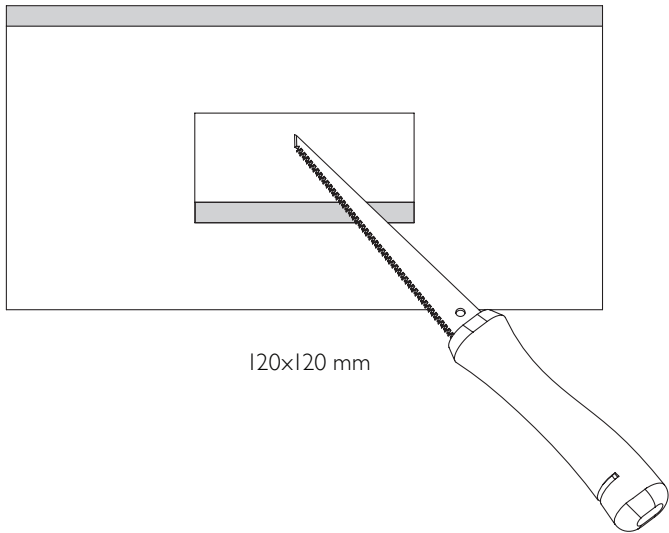
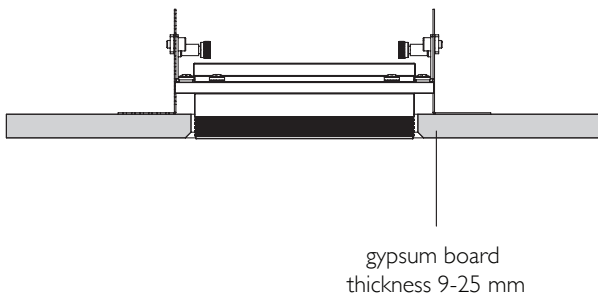


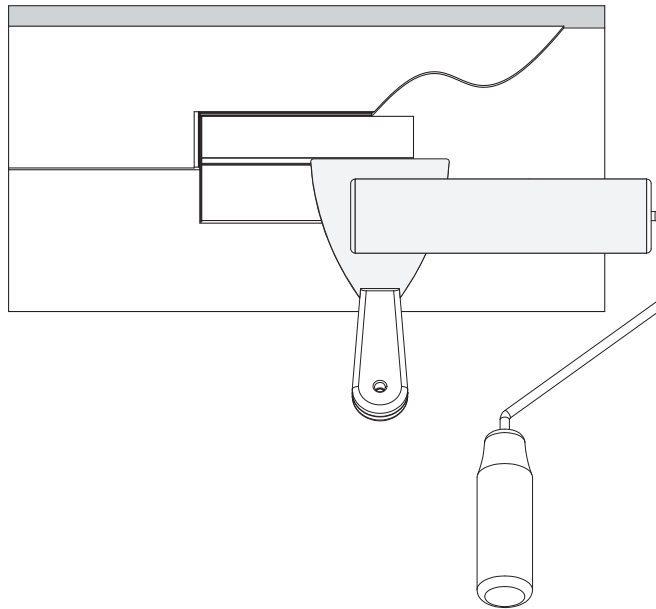
1 Cut hole in ceiling.



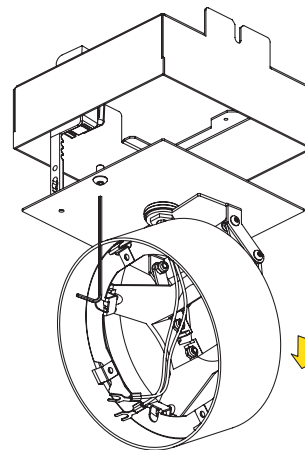
2 Adjust depth of plasterkit frame.



3 Plaster and paint.



4 Separate front part.



5 Connect to 12V transformer.

