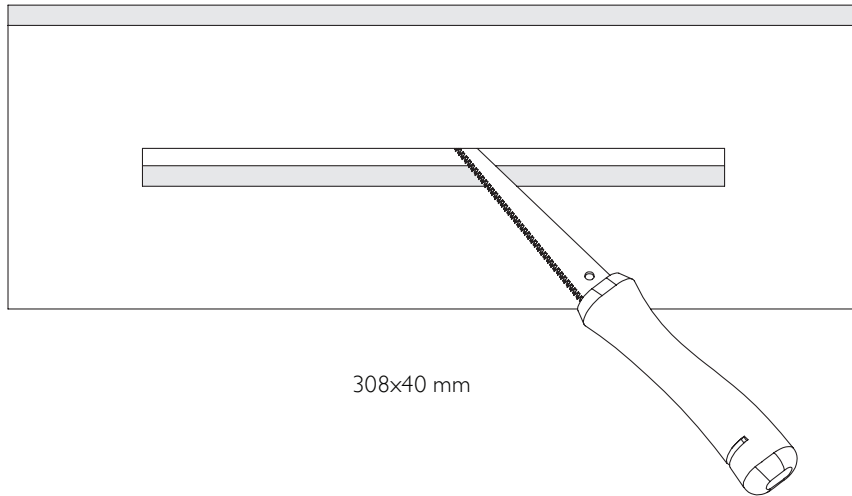
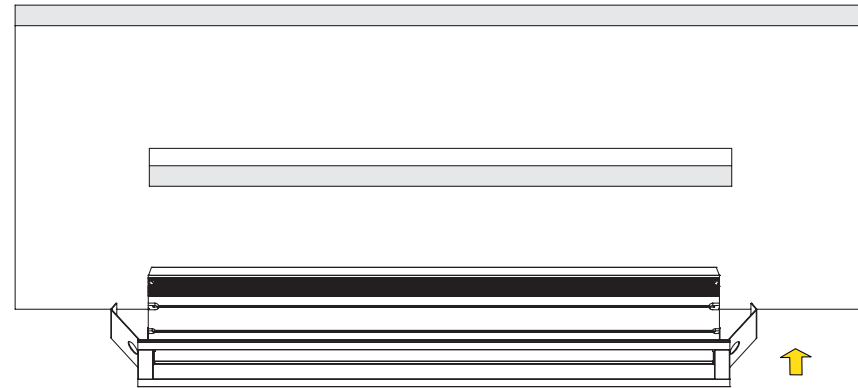


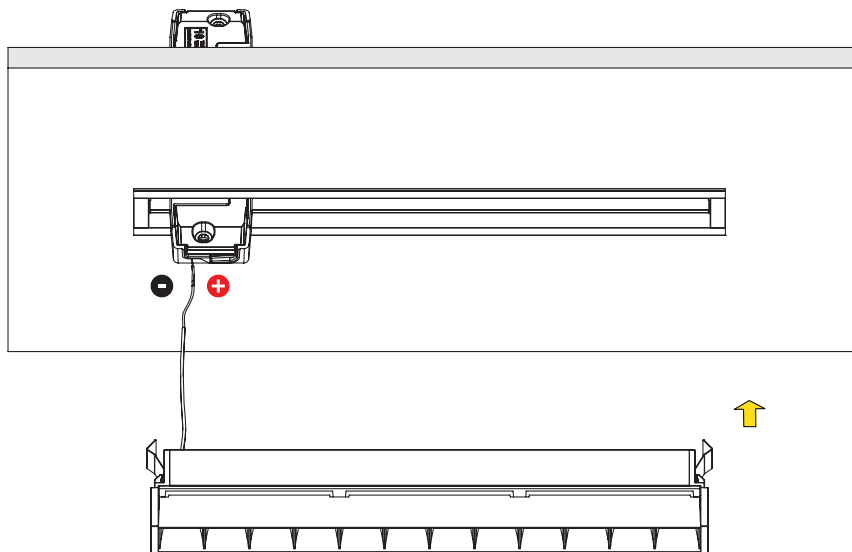
1 Cut hole in ceiling.



2 Insert frame into slot.



3 Connect luminaire to driver. Place the luminaire into frame.



Use constant current driver with strain relief.

**!** Always check polarity and max drive current.

| Drive Current | Forward Voltage | Power |
|---------------|-----------------|-------|
| max 500 mA    | 34V             | 17 W  |