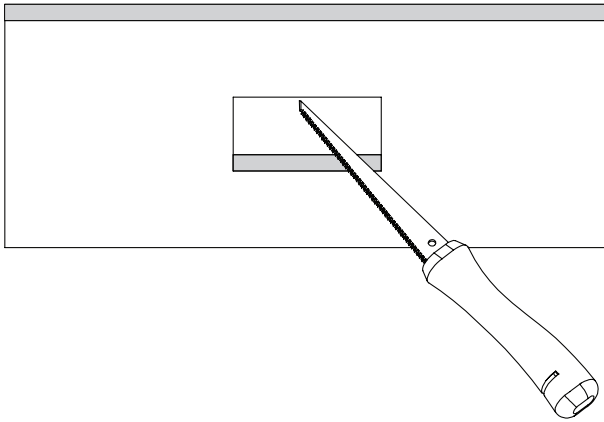


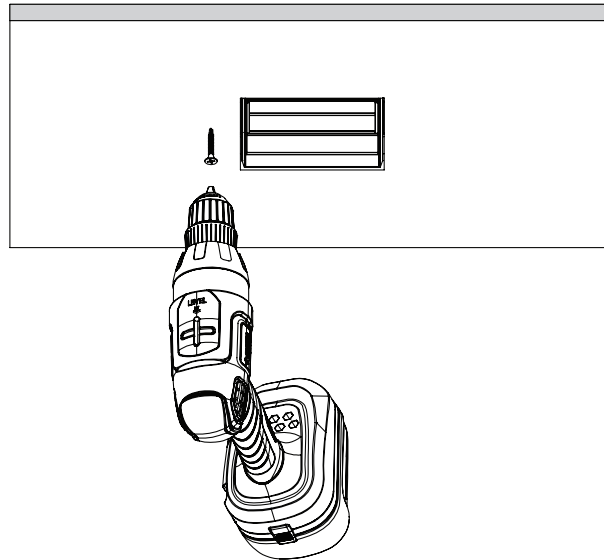
1 Cut hole in ceiling.



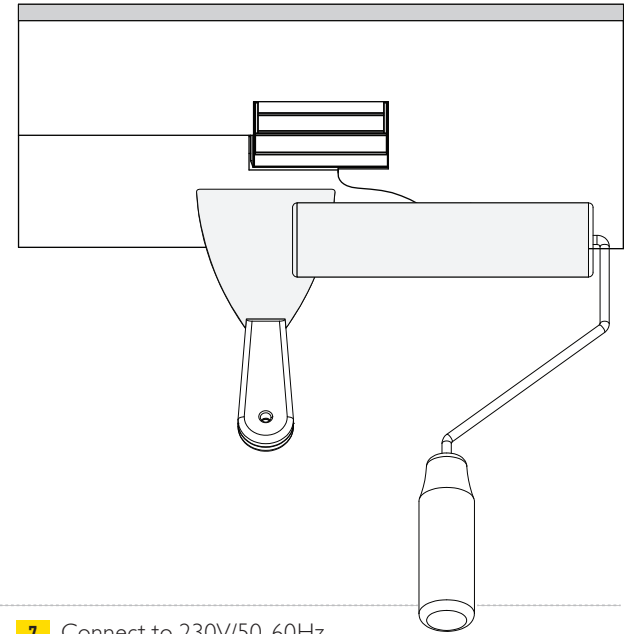
LUPO 1x1 95x95 mm (accessible ceiling)
95x105 mm (non-accessible ceiling)

LUPO 2x1 95x183 mm

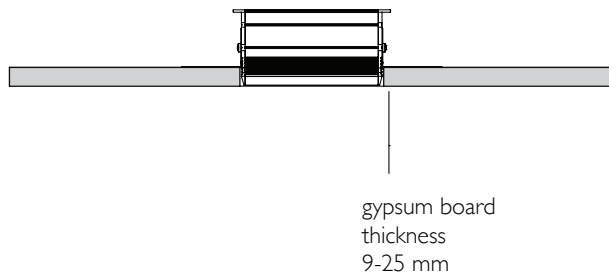
3 Fix frame to plasterboard with screws.



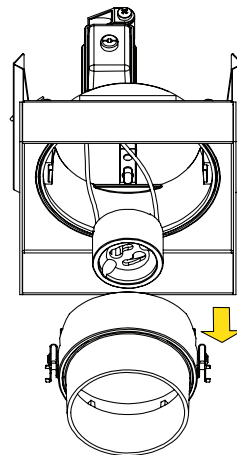
6 Plaster and paint.



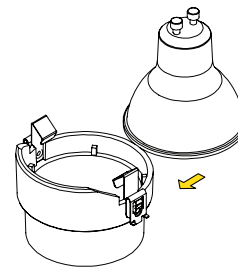
2 Adjust depth of plasterkit frame.



4 Pull front part.



5 Slide bulb into place.



7 Connect to 230V/50-60Hz.

