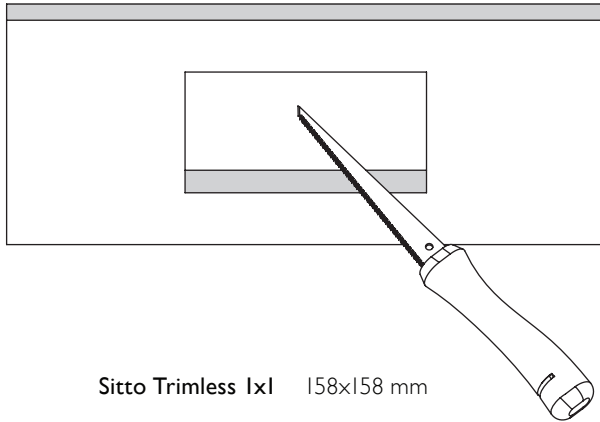
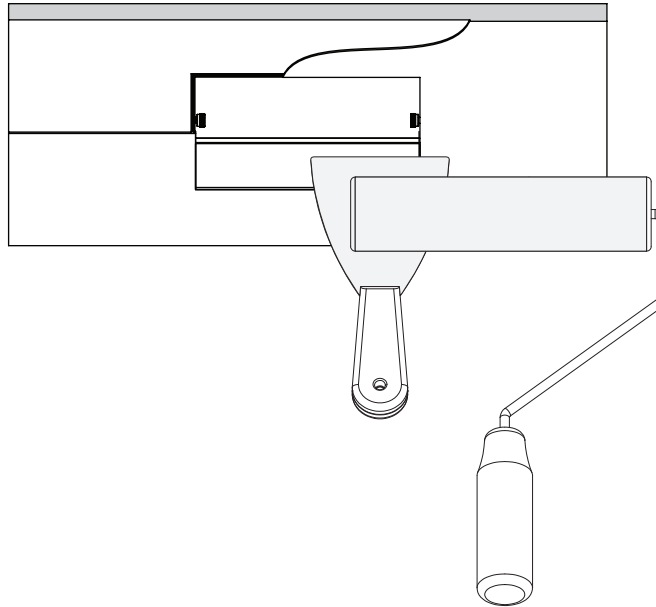


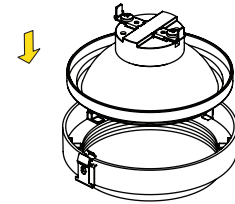
1 Cut hole in ceiling.



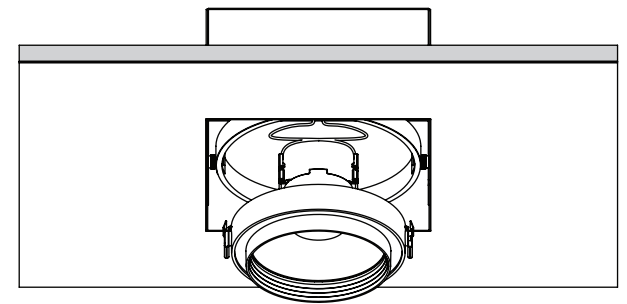
3 Plaster and paint.



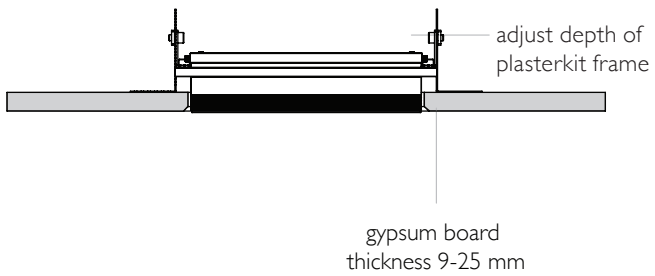
5 Install bulb into front ring.



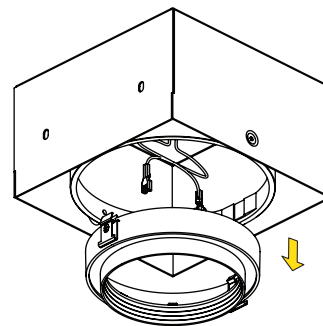
6 Install box into frame and connect to 12V transformer.



2 Fix trimless frame to gypsum board.



4 Pull front ring.



7 Push back front ring aiming clips.

