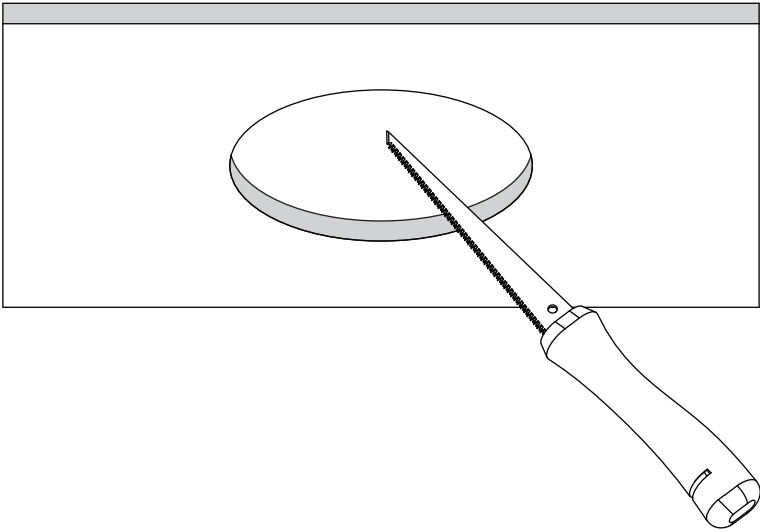
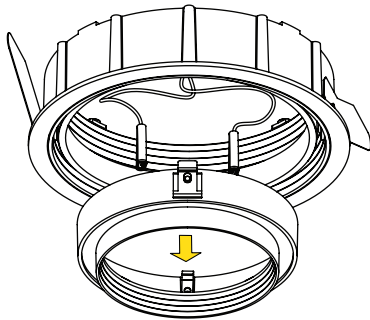


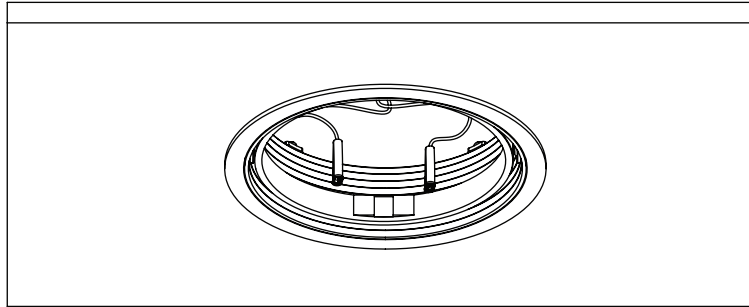
1 Cut hole in ceiling 160 mm.



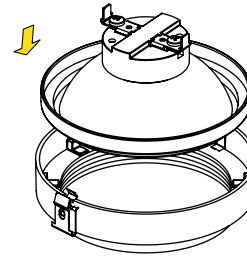
2 Pull front ring.



3 Install fitting into gypsum board and connect to 12V transformer.



4 Install bulb into front ring.



5 Push back front ring aiming clips.

